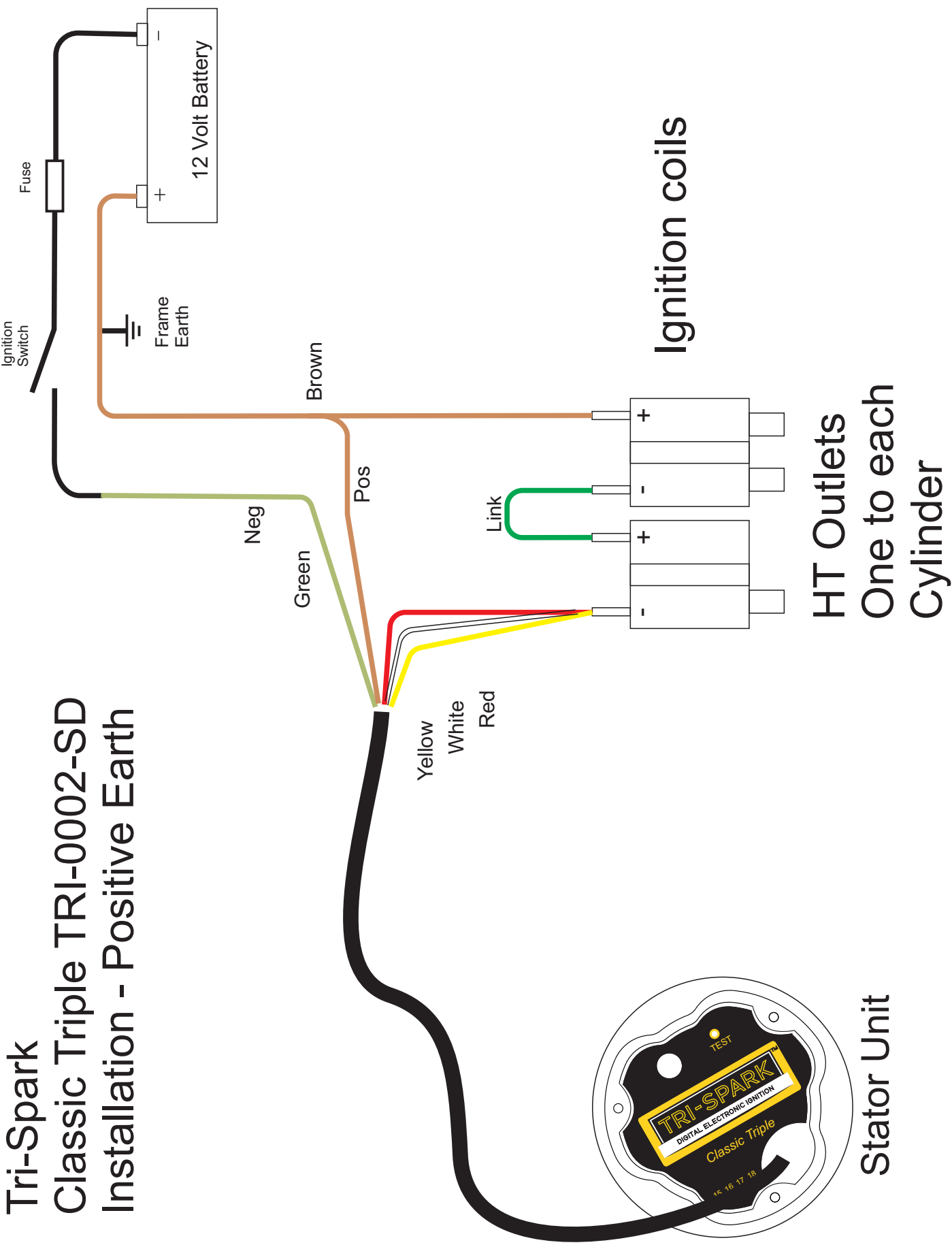


Tri-Spark Classic Triple TRI-0002-SD Installation - Positive Earth



Tri-Spark Classic Triple TRI-0002-SD Installation - Negative Earth

